

MOPA 532-700mW

Diode pumped passively Q-switched solid state laser

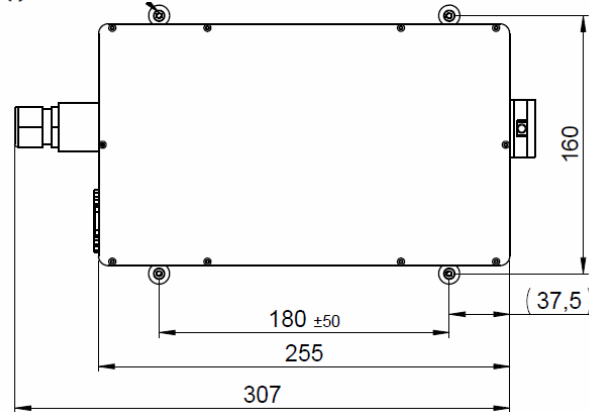
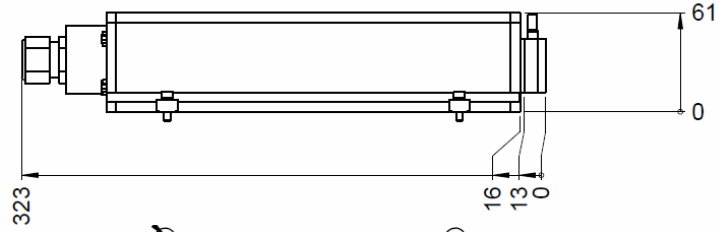
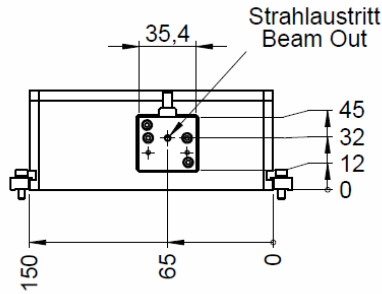
- 532 nm
- Single Pulse
- < 1.2 ns
- 1 – 20 kHz
- > 700 mW
- External / Internal Trigger Mode



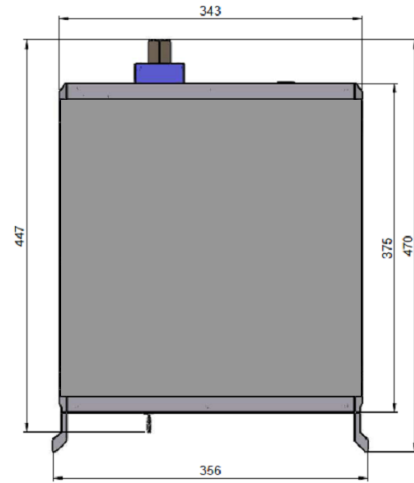
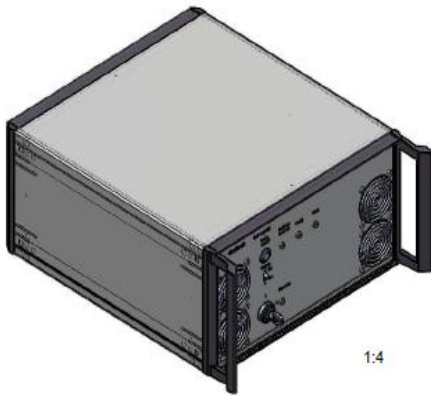
biology · biomedicine · chemistry · analytics

Optical Data	Wavelength	532 nm
	Average Power	> 700 mW @ 20 kHz
	Pulse Energy	> 35 µJ @ 20 kHz
	Beam Divergence (full angle)	< 3.0 mrad
	Beam Ellipticity	< 2:1
	Beam Diameter	0.6 ± 0.3 mm (at laser exit)
	Spatial Mode	TEM ₀₀
	Pulse Repetition Rate (with external trigger)	1 Hz - 20 kHz
	Pulse Width (FWHM)	< 1.2 ns
	Polarization Ratio	> 100:1, vertical
	Pulse Energy Drift ¹⁾	< ± 3 % @ 20 kHz
	Pulse-to-Pulse Energy Stability ²⁾	< 5 % rms
Laser Classification	4 / IV	
Optical Output	Free Beam	
Electrical Data	Electrical Power Consumption	< 250 W
	Line Voltage	100 - 250 V AC (50-60 Hz)
Interface	USB	
	BNC connector for external triggering (TTL)	
	SMB connector for 24 V DC output	
Miscellaneous	Warm-up Time	< 10 min
	Operating Temperature	18 - 38 °C
	Laser Head Size	61 x 150 x 326 mm (H x W x L)
	Stand Alone Unit Size	184 x 356 x 375 mm (H x W x L)
Options	External telescope (beam expander) or multimode fiber coupling	
	Manual or electrical attenuator	
	Synchronization signal output (rise time < 2 ns)	
	Electrical or manual wavelength switch 532nm – 1064nm) or electrical beam blocker	
	¹⁾ Drift over 8 hours, energy averaged over 10 sec after 5 min of continuous operation, temperature variation ± 3 °C and < 3 °C/hour, with activated closed loop control for the pulse energy	
	²⁾ RMS over 1000 pulses after 5 min of continuous operation.	

Laser Head and Controller



Laser Head
(height = 61; width = 150; length = 255
core dimensions in mm)



Stand Alone Unit
(height = 184, width = 343; length = 375
core dimensions in mm)

Laser Safety Labels

The MOPA 532-700mW lasers are class 4 / IV according to IEC 60825-1:2014

<p>wavelength: 532 nm max. output: 1500 mW pulse duration: < 1.2 ns max. repetition rate: 20 kHz</p> <p><small>Complies with IEC 60825-1:2014 Complies with 21CFR 1040.10 and 1040.11 except for deviations pursuant to Laser Notice No. 50, dated July 26, 2001</small></p>	<p>DANGER - VISIBLE LASER RADIATION AVOID EYE OR SKIN EXPOSURE TO DIRECT OR SCATTERED RADIATION</p> <p>CLASS 4 LASER PRODUCT</p>	<p>LASER RADIATION IS EMITTED FROM THIS APERTURE</p>
---	--	--

